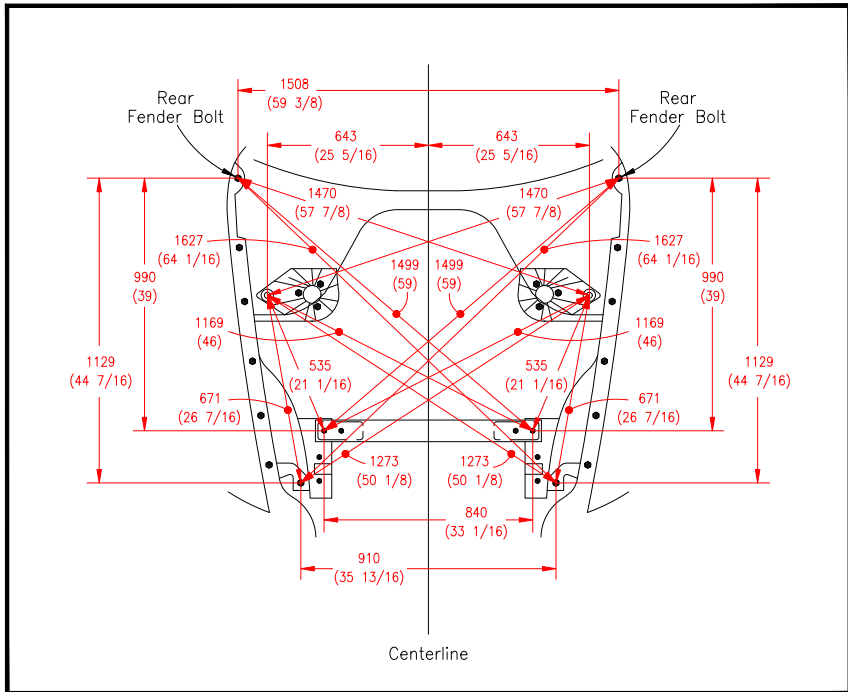
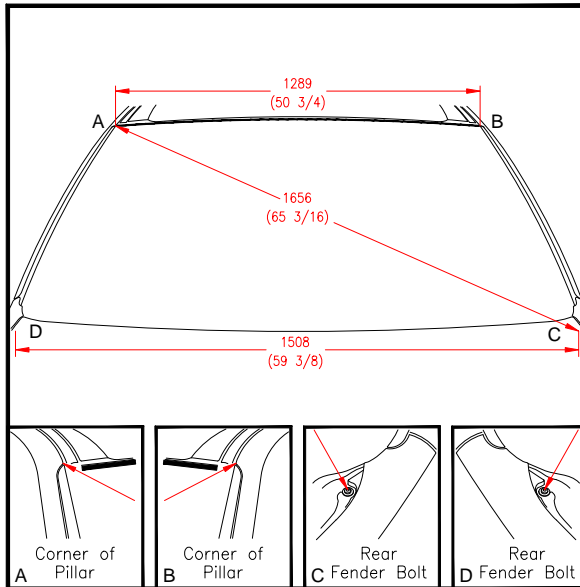


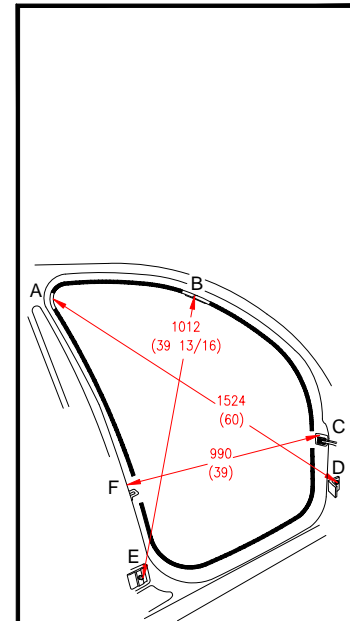
ENGINE COMPARTMENT



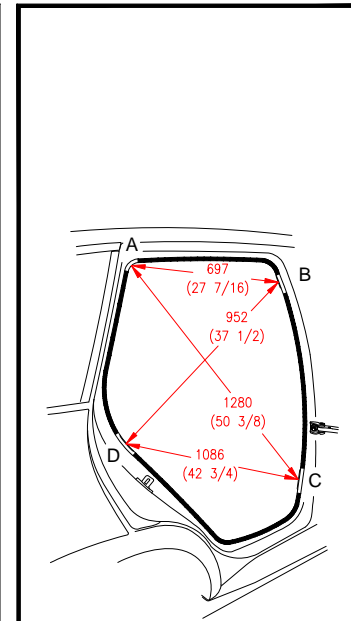
WINDSHIELD



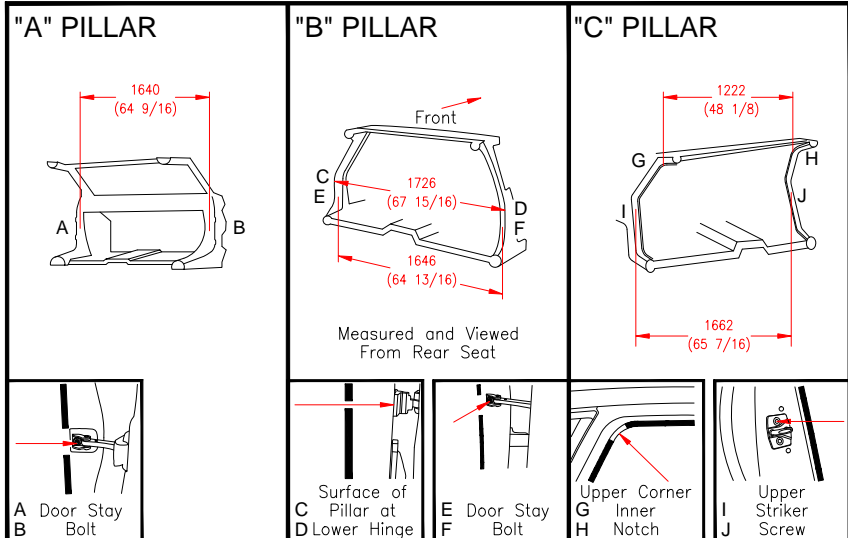
FRONT DOOR



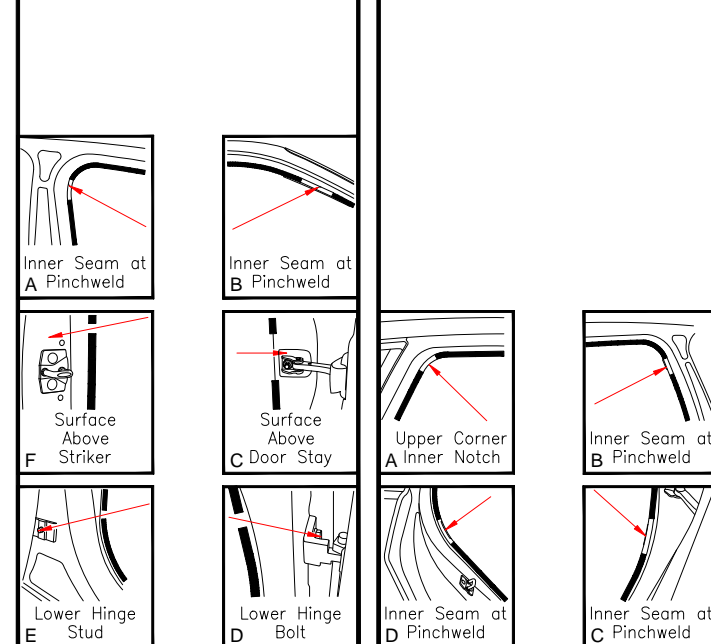
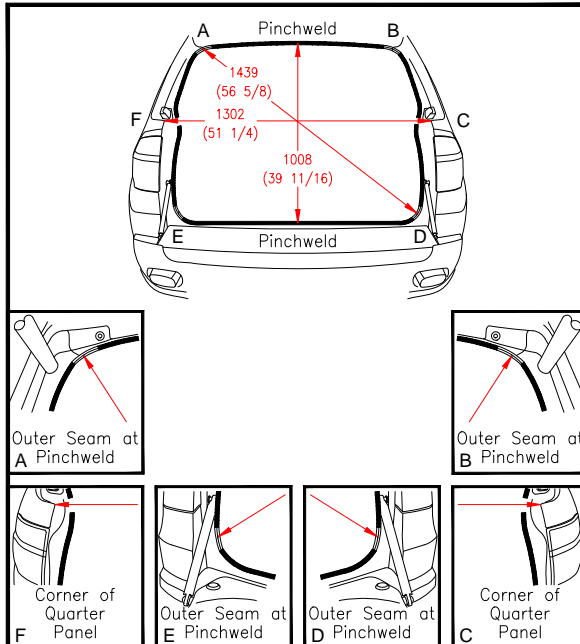
REAR DOOR



INSIDE PASSENGER COMPARTMENT



LIFTGATE



PLEASE SEE "HOW TO USE DIMENSION INFORMATION" SECTION

Dimensions from Centerline are Combined When Equal
 Divide by 2 for Individual Dimensions from Centerline
 All Bolts and Holes are Measured to Center
 Unless Otherwise Described in "Measuring Points"

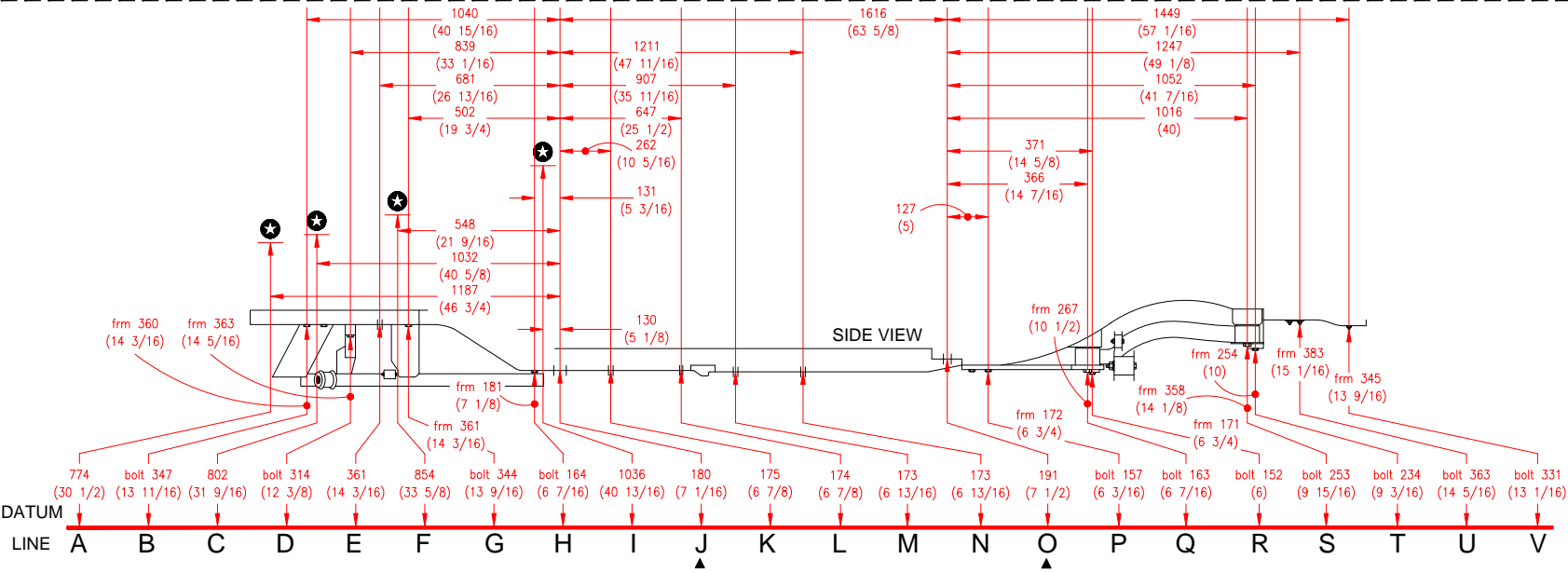
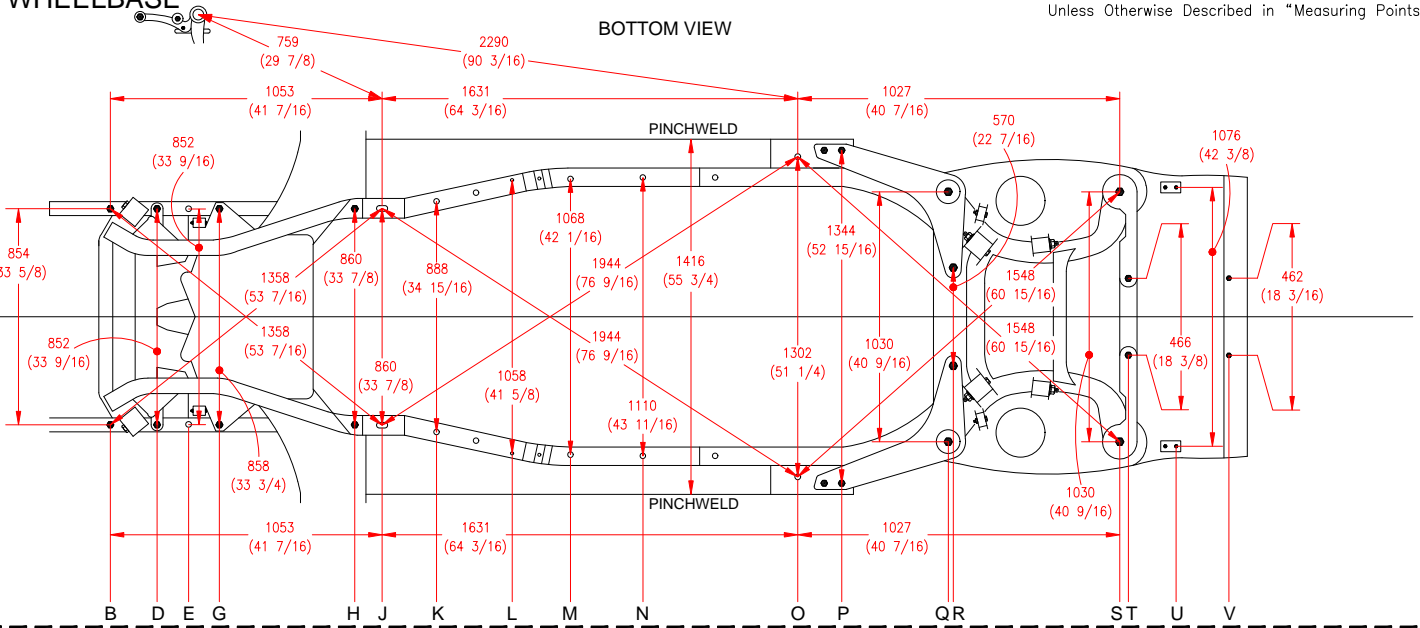
2934 (115 1/2) WHEELBASE

DRIVER SIDE

BOTTOM VIEW

Centerline
FRONT

REAR



MEASURING POINTS

- A - Head of Bolt - Headlight Bracket
- B - Head of Front Bolt - Bracket
- C - Head of Outer Bolt - Core Support
- D - Head of Front Bolt - Subframe
- E - Center of 20 (13/16) Hole
- F - Center of 12 (1/2) Hole - Strut Tower
- G - Head of Middle Bolt - Subframe
- H - Head of Rear Bolt - Subframe
- I - Head of Rear Bolt - Fender
- J - Center of 20 x 25 (13/16 x 1) Slot
- K - Center of 20 (13/16) Hole
- L - Center of 12 (1/2) Hole
- M - Center of 20 (13/16) Hole
- N - Center of 20 (13/16) Hole
- O - Center of 20 (13/16) Hole
- P - Head of Outer Rear Bolt-Subframe Bracket
- Q - Head of Front Bolt - Subframe
- R - Head of Inner Bolt - Subframe Bracket
- S - Head of Rear Bolt - Subframe
- T - Head of Inner Bolt - Subframe Bracket
- U - Tip of Rear Bolt - Muffler Bracket
- V - Tip of Bolt - Heat Shield

- DS - DRIVER SIDE
- PS - PASSENGER SIDE

- - BOLTS
- - RIVETS
- - HOLES
- ▲ - DATUM LINE ZERO POINT
- ★ - LOWER BALL JOINT - LOADED
- ☆ - LOWER BALL JOINT - UNLOADED
- ⊙ - WIDTH DIMENSION ON UPPER BODY VIEW

- frm - MEASUREMENT TO SURFACE OF FRAME (PARTS REMOVED)
- bolt - MEASUREMENT TO BOLT

